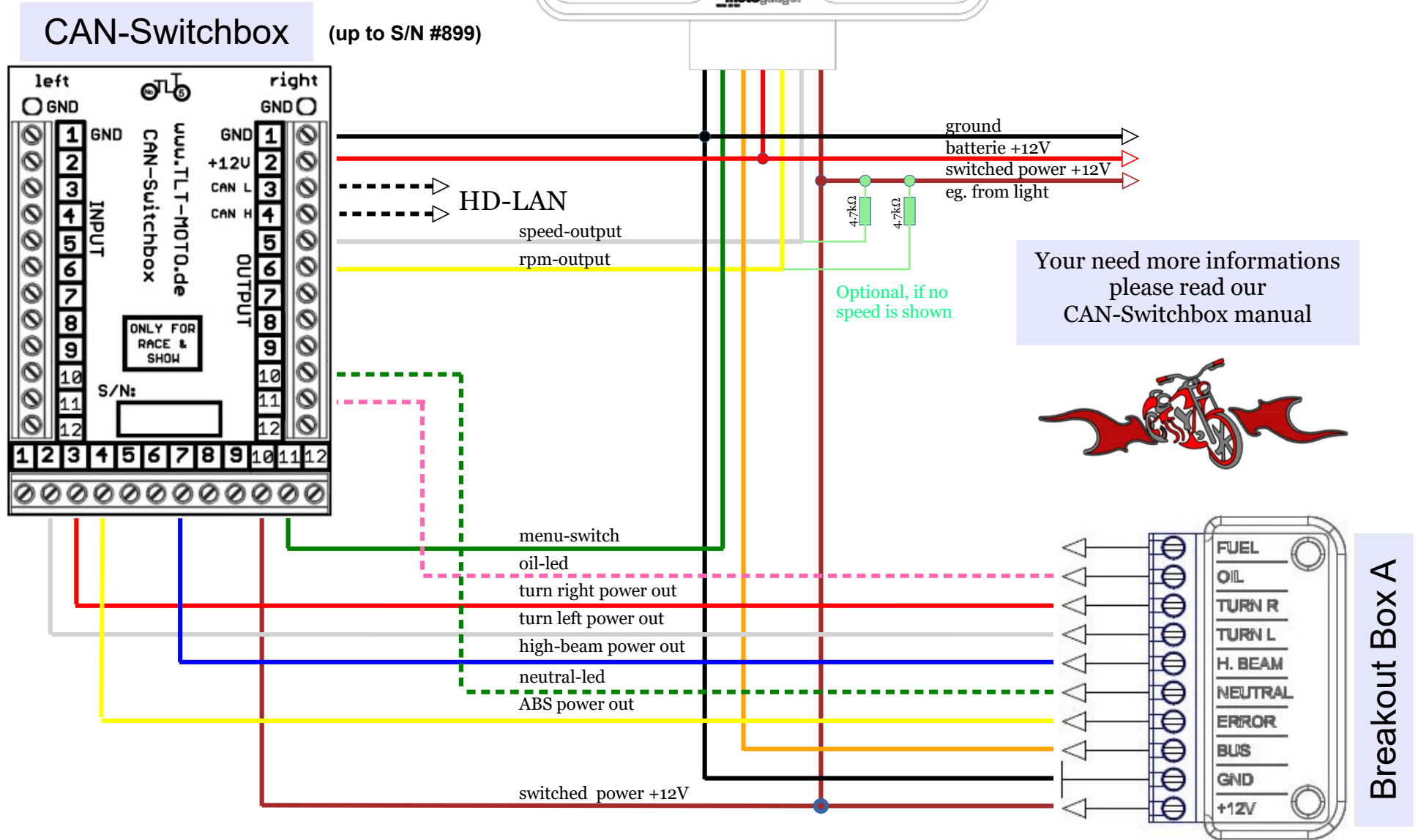
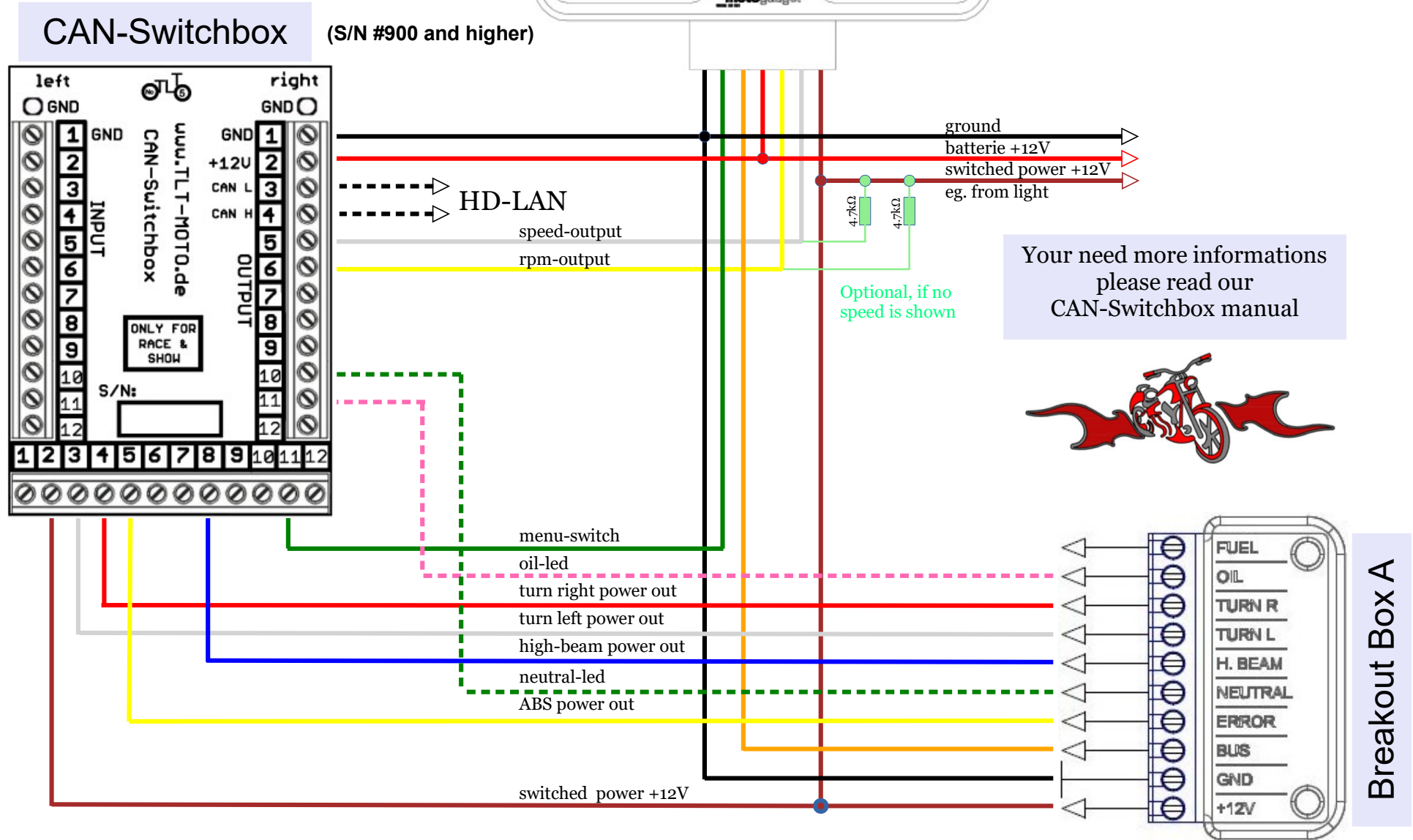


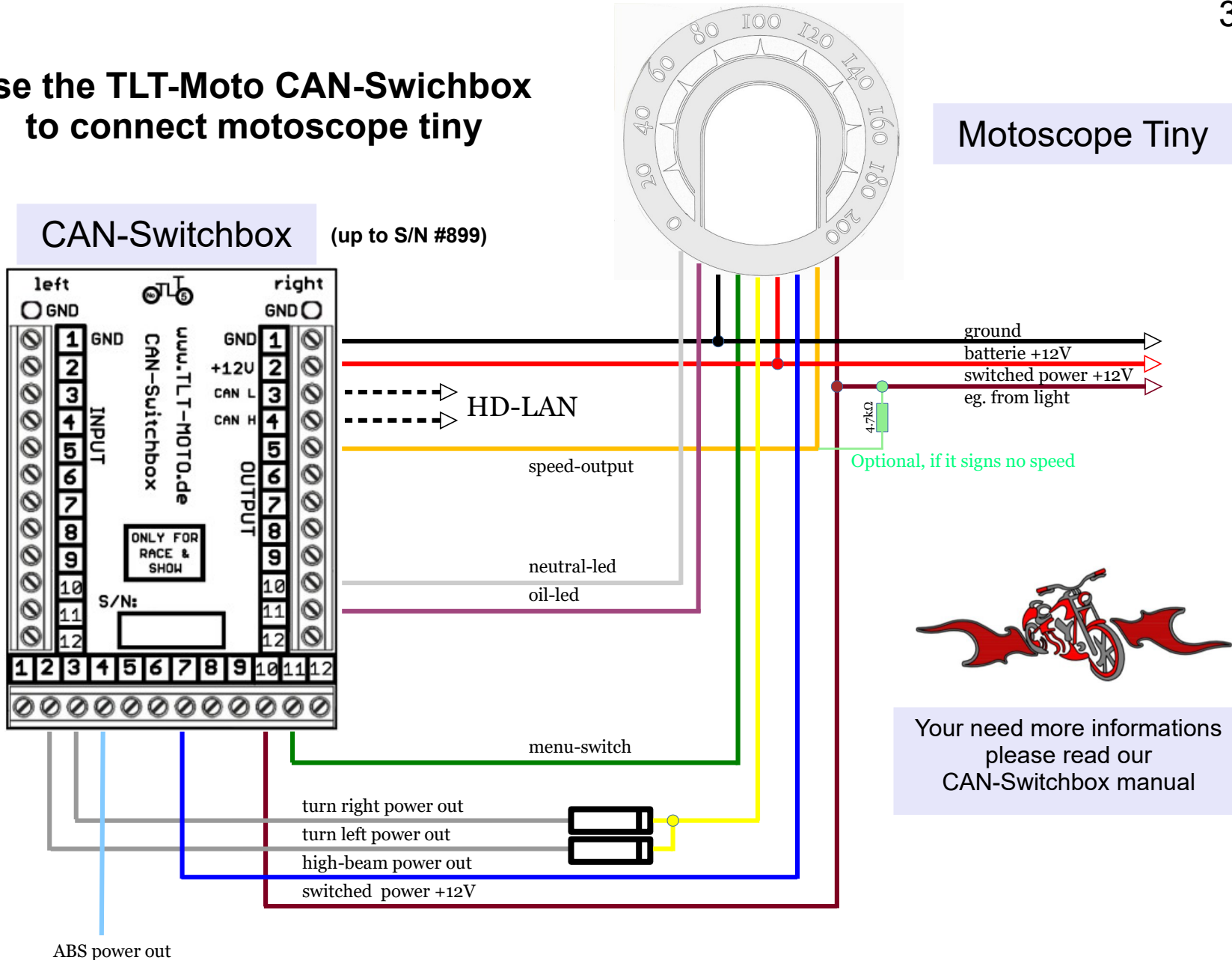
Use the TLT-Moto CAN-Switchbox to connect motoscope pro



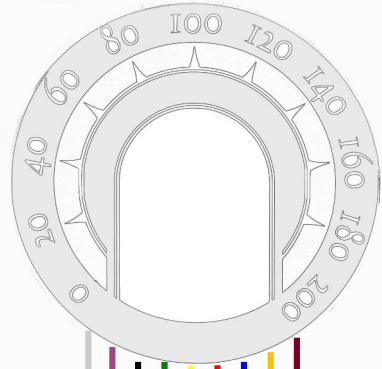
Use the TLT-Moto CAN-Switchbox to connect motoscope pro



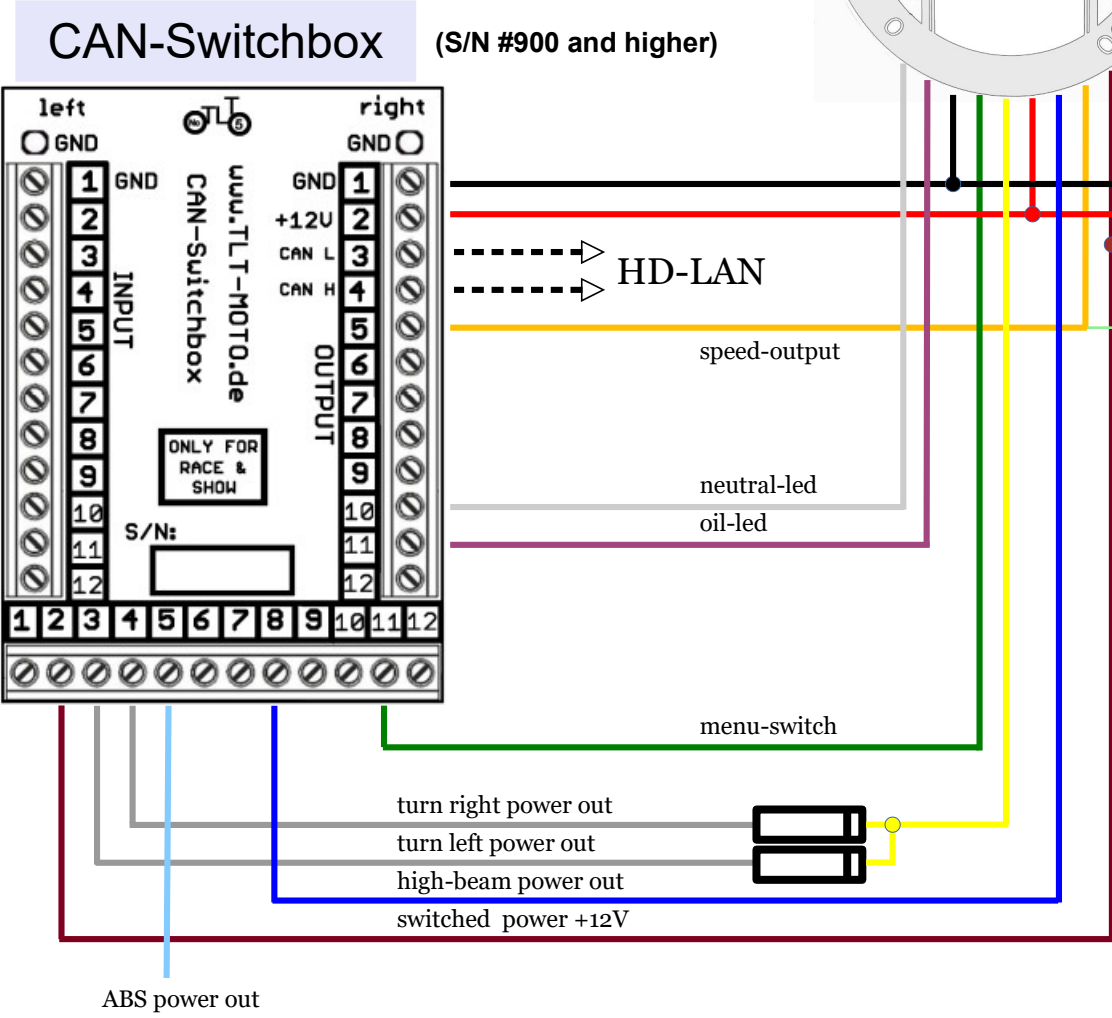
Use the TLT-Moto CAN-Swichbox to connect motoscope tiny



Use the TLT-Moto CAN-Swichbox to connect motoscope tiny



Motoscope Tiny



Your need more informations please read our CAN-Switchbox manual

Use the TLT-Moto CAN-Switchbox to connect motoscope mini + motosign

