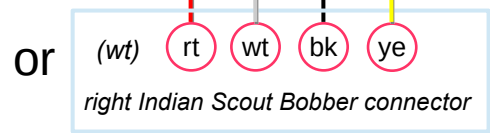
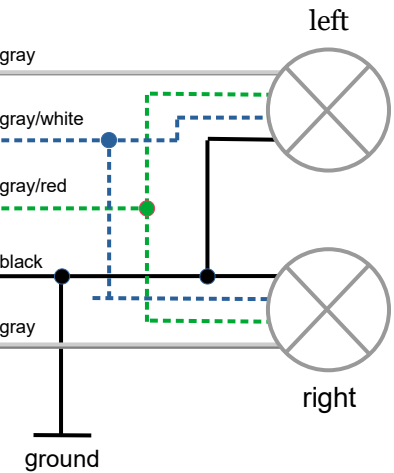


TLT-Moto's
Indian Rear Lighting
Adapter



Kellermann 3in1



optional:

If you need to use the ignition-switched +12 volt as a tail-light, it is necessary to connect the free (T)-output/tail with the (C)-input.